

SMALL TANK HEATERS

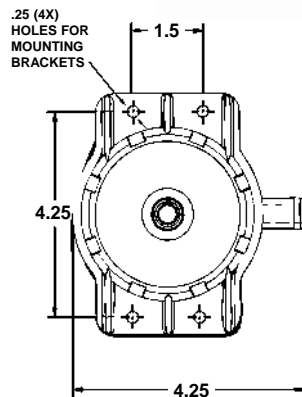
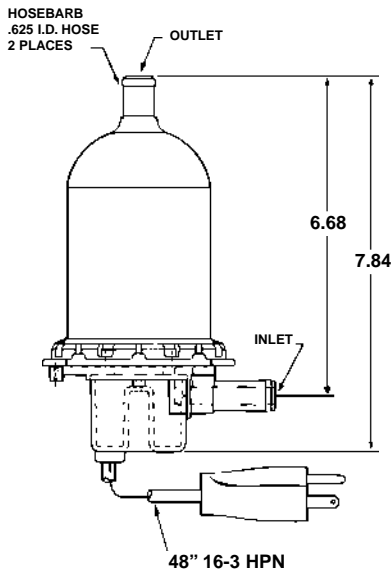
**HIGH IMPACT
PLASTIC**

**SINGLE
PHASE**

**500-2000
WATTS**

**120v AND
240v**

Ambient Above -20° F	Ambient Below -20° F	Kim Hotstart Model Number	Volts	Phase	Watts	Amps	Thermostat Range	
							On	Off
150 Cubic Inch or Less	150 Cubic Inch or Less	TPS051GT8-000	120	1	500	4.2	80°F	100°F
		TPS051GT10-000	120	1	500	4.2	100°F	120°F
		TPS051GT12-000	120	1	500	4.2	120°F	140°F
350 Cubic Inch or Less	200 Cubic Inch or Less	TPS101GT8-000	120	1	1000	8.4	80°F	100°F
		TPS101GT10-000	120	1	1000	8.4	100°F	120°F
		TPS101GT12-000	120	1	1000	8.4	120°F	140°F
		TPS102GT8-000	240	1	1000	4.2	80°F	100°F
		TPS102GT10-000	240	1	1000	4.2	100°F	120°F
		TPS102GT12-000	240	1	1000	4.2	120°F	140°F
350 — 500 Cubic Inch or Less	200 — 300 Cubic Inch or Less	TPS151GT8-000	120	1	1500	12.5	80°F	100°F
		TPS151GT10-000	120	1	1500	12.5	100°F	120°F
		TPS151GT12-000	120	1	1500	12.5	120°F	140°F
		TPS152GT8-000	240	1	1500	6.3	80°F	100°F
		TPS152GT10-000	240	1	1500	6.3	100°F	120°F
		TPS152GT12-000	240	1	1500	6.3	120°F	140°F
500 — 700 Cubic Inch or Less	300 — 400 Cubic Inch or Less	TPS181GT8-000	120	1	1800	15	80°F	100°F
		TPS181GT10-000	120	1	1800	15	100°F	120°F
		TPS181GT12-000	120	1	1800	15	120°F	140°F
		TPS202GT8-000	240	1	2000	8.3	80°F	100°F
		TPS202GT10-000	240	1	2000	8.3	100°F	120°F
		TPS202GT12-000	240	1	2000	8.3	120°F	140°F



View of a Kim Hotstart TPS tank heater. This durable heater is assembled with a built-in thermostat and 4-foot power cord.



- Molded from Polyphenylene Sulfide (PPS).
- Rust-free, resists corrosion, exceptional tensile strength.
- Vibration and shock tested to extreme limits to guarantee durability.
- Greatly reduced heat loss for more efficient operation.
- Compatible with all chemicals.
- Incoloy element for longer service life.
- Thermostatically controlled.
- All parts are field replaceable — not a throw away heater.
- Compact design requires minimal mounting space.